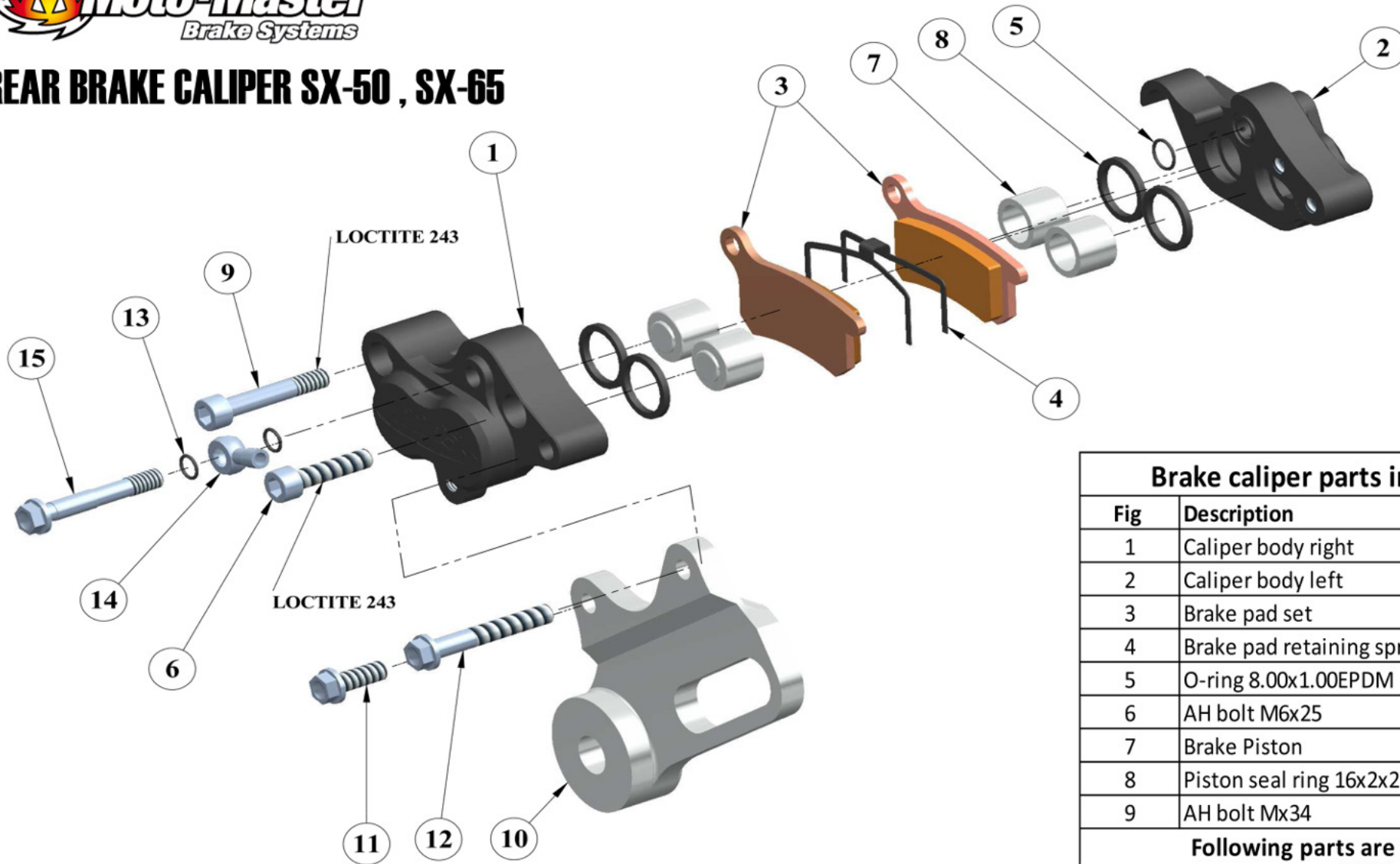
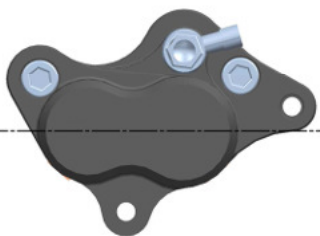


# REAR BRAKE CALIPER SX-50 , SX-65



### Brake caliper parts included:

Fig	Description	QTY
1	Caliper body right	1
2	Caliper body left	1
3	Brake pad set	1
4	Brake pad retaining spring	1
5	O-ring 8.00x1.00EPDM	1
6	AH bolt M6x25	1
7	Brake Piston	4
8	Piston seal ring 16x2x2	4
9	AH bolt Mx34	1
<b>Following parts are not included use OEM part version</b>		
10	Caliper adapter bracket	1
11	HH Collar bolt M6x16	1
12	HH Collar bolt M6x40	1
13	O-ring 6.00x1.00	2
14	Brake line Banjo	1
15	Hollow Bolt M8x38.8	1



LEVEL BRAKE CALIPER DURING BLEEDING